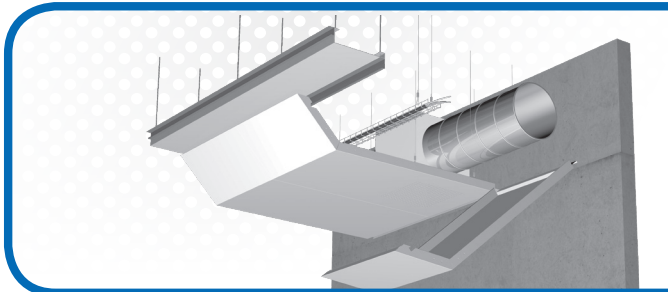


Customized solutions

The Plafometal teams provide support and guidance throughout your project and suggest solutions for adding the perfect finishing touches, including:

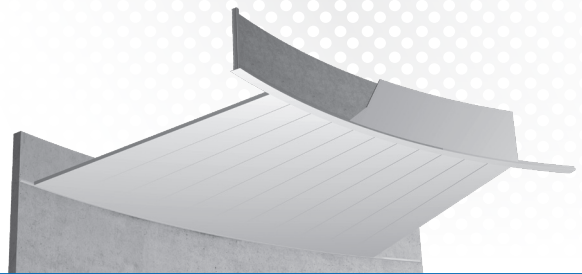


Bespoke panels

To create multi-level designs and features

Trapezoidal panels

Panels that hug the building's curves and adapt to rounded corridors

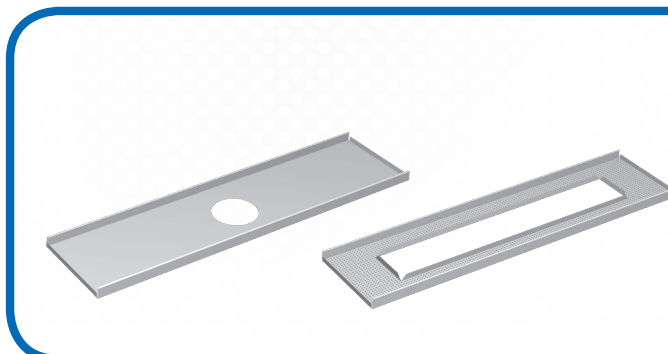
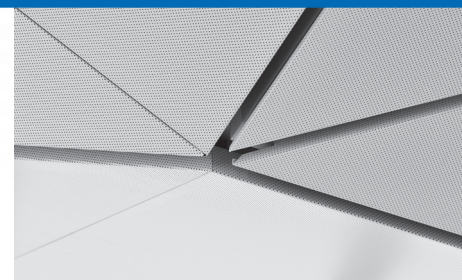


Blind box trims, drops and recesses

For changes in level and facade finishes

Finishing solutions

For ceiling finishes and intersections



Cuttings and reservations

To ensure the best finished appearance for your ceiling, we can provide panels with bespoke cut-outs for your lights and other fittings. Cut-outs are available in various shapes and sizes, whether clean or edged, centered or offset, with special perforations that can be used for air inlet / outlet vents and speakers.

Feel free to contact us if you would like to discuss your requirements in greater detail.